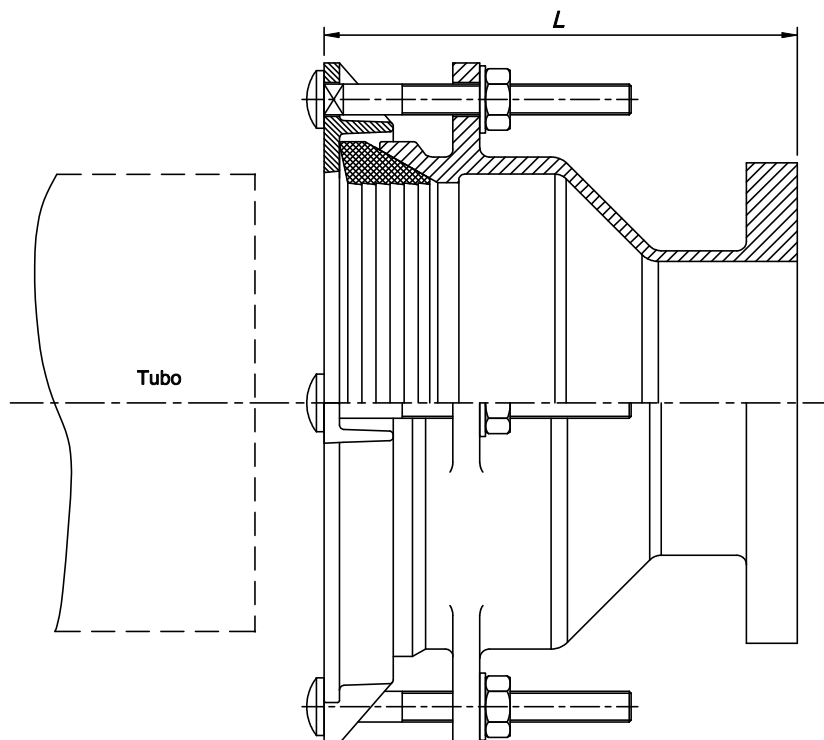


# UNIÃO DE TUBOS

## MaxiVIC - FLANGE Conforme DIN PN 10/16



### PN 10

CÓDIGO DO PRODUTO	Ø Nominal		Ø Externo do Tubo		Ø Flange DIN PN 10		L (mm)	Peso (Kg)
	Poleg.	mm	Mín. (mm)	Máx. (mm)	(mm)	(POL)		
24-5050-1	2"	50	59,5	72,0	DN 50	2"	145	5,2
24-6565-1	2.1/2"	65	72,2	85,0	DN 65	2.1/2"	145	6,2
24-8080-1	3"	80	88,1	102,4	DN 80	3"	150	7,4
24-100100-1	4"	100	110,0	127,8	DN 100	4"	200	10,6
24-15080-1	6"	150	160,0	181,6	DN 80	3"	225	12,5
24-150100-1	6"	150	160,0	181,6	DN 80	4"	230	13,5
24-150150-1	6"	150	160,0	181,6	DN 150	6"	210	16,0
24-175200-2	7"	175	192,9	209,0	DN 200	8"	240	23,2
24-200200-2	8"	200	218,1	235,0	DN 200	8"	220	24,7
24-250200-2	10"	250	272,0	289,0	DN 200	8"	275	35,9
24-250250-2	10"	250	272,0	289,0	DN 250	10"	275	42,6
24-300300-2	12"	300	315,0	332,0	DN 300	12"	290	58,7
24-350350-2	14"B	350	350,0	400,0	DN 350	14"	305	83,0
24-400400-2	16"	400	400,0	435,0	DN 400	16"	310	105,0
24-450450-2	18"A	450	476,0	507,0	DN 450	18"	300	100,0
24-500500-2	20"B	500	527,0	550,0	DN 500	20"	325	154,0
24-600600-2	24"	600	609,0	647,0	DN 600	24"	390	237

### PN 16

CÓDIGO DO PRODUTO	Ø Nominal		Ø Externo do Tubo		Ø Flange DIN PN 16		L (mm)	Peso (Kg)
	Poleg.	mm	Mín. (mm)	Máx. (mm)	(mm)	(POL)		
24-5050-1	2"	50	I D E M P N 10					
24-6565-1	2.1/2"	65	I D E M P N 10					
24-8080-1	3"	80	I D E M P N 10					
24-100100-1	4"	100	I D E M P N 10					
24-15080-1	6"	150	I D E M P N 10					
24-150100-1	6"	150	I D E M P N 10					
24-150150-1	6"	150	I D E M P N 10					
24-175200-1	7"	175	192,9	209,0	DN 200	8"	240	23,0
24-200200-1	8"	200	218,1	235,0	DN 200	8"	220	24,5
24-250200-1	10"	250	272,0	289,0	DN 200	8"	275	35,7
24-300300-1	12"	300,0	315,0	332,0	DN 300	12"	290	58,5
24-400400-1	16"	400,0	400,0	435,0	DN 400	16"	310	106,0

