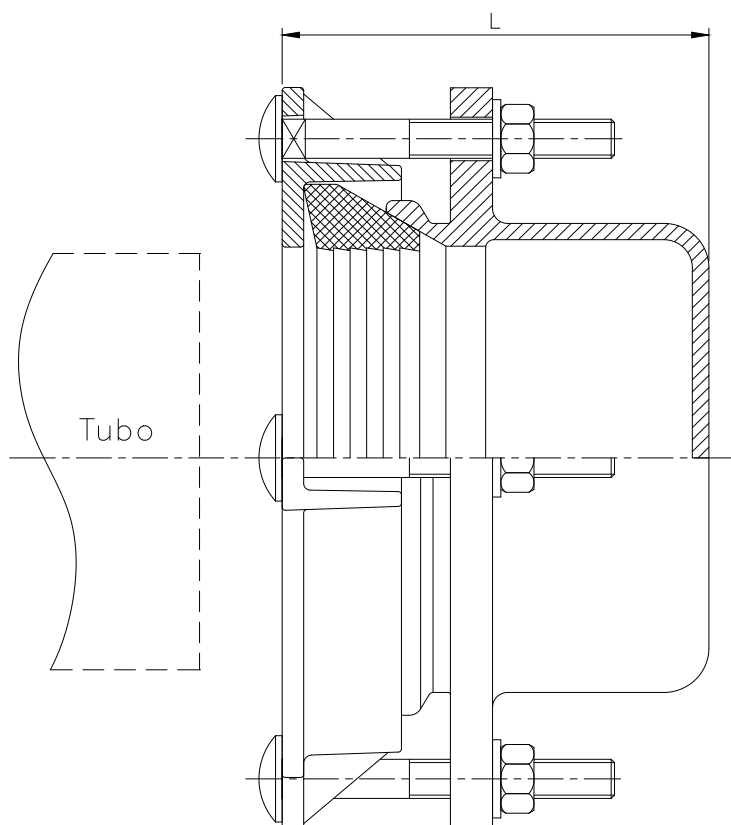


## UNIÃO DE TUBOS MaxiVIC - TAMPÃO



Código	Ø Nominal		Ø Externo do Tubo		L (mm)	Peso (kg)
	Pol	mm	Mín (mm)	Máx (mm)		
21-0050-36N-1IAZ-I	2"	50,0	59,5	72,0	90	2,4
21-0080-36N-1IAZ-I	3"	80,0	88,1	102,4	95	3,7
21-0100-36N-1IAZ-I	4"	100,0	110,0	127,8	115	5,3
21-0125-36N-1IAZ-I	5"	125,0	138,9	153,2	115	6,6
21-0150-36N-1IAZ-I	6"	150,0	160,0	181,6	115	8,1
21-0175-36N-1IAZ-I	7"	175,0	192,9	209,0	115	11,0
21-0200-36N-1IAZ-I	8"	200,0	218,1	235,0	120	14,0
21-0225-36N-1IAZ-I	9"	225,0	250,0	267,0	125	17,0
21-0250-36N-1IAZ-I	10"	250,0	272,0	289,0	125	23,0
21-0300-36N-1IAZ-I	12"	300,0	315,0	332,0	130	30,0
21-0350-36N-1IAZ-I	14" B	350,0	350,0	400,0	180	60,0
21-0400-36N-1IAZ-I	16"	400,0	400,0	435,0	170	60,0
21-0450-36N-1IAZ-I	18" A	450,0	476,0	507,0	170	80,0
21-0500-36N-1IAZ-I	20"	500,0	500,0	538,0	285	165,0
21-0600-36N-1IAZ-I	24"	600,0	609,0	647,0	285	225,0

Rev. 02 (06/06/23)

