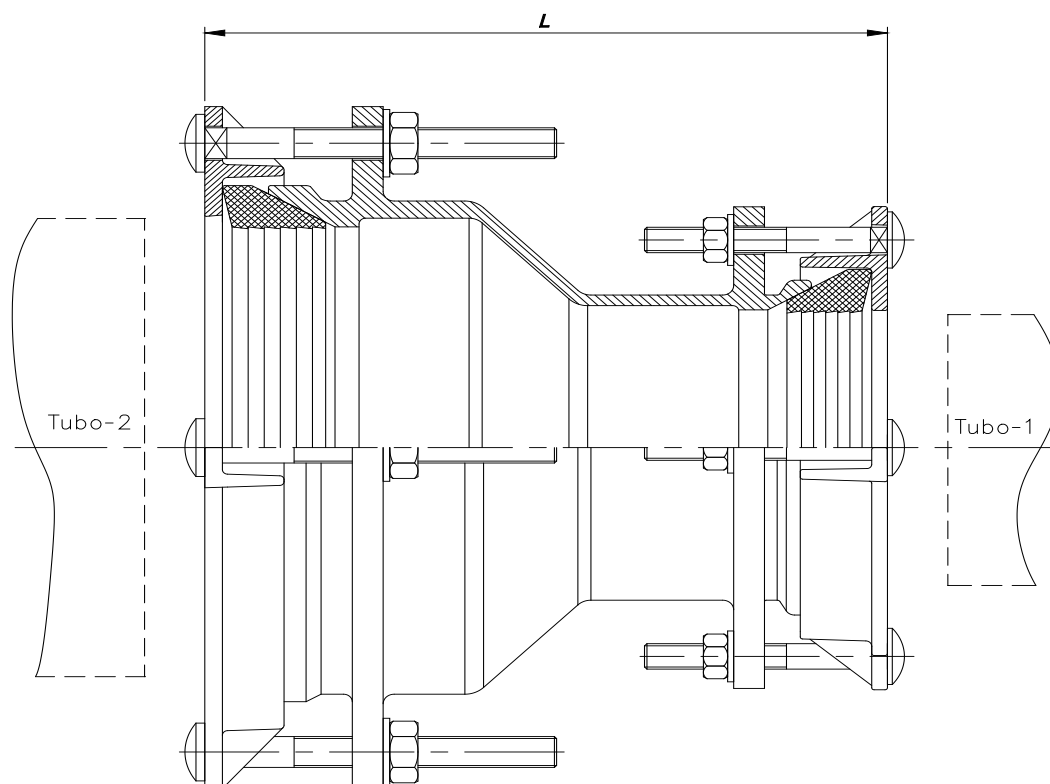


UNIÃO DE TUBOS MaxiVIC - REDUÇÃO



Código	Ø Nominal Tubo 1		Ø Externo do Tubo 1		Ø Nominal Tubo 2		Ø Externo do Tubo 2		L (mm)	Peso (kg)
	Pol.	mm	Mín.(mm)	Máx. (mm)	Pol.	mm	Mín. (mm)	Máx. (mm)		
22-5080-36N-1IAZ-I	2"	50,0	59,5	72,0	3"	80,0	88,1	102,4	200	6,0
22-50100-36N-1IAZ-I	2"	50,0	59,5	72,0	4"	100,0	110,0	127,8	210	7,5
22-65100-36N-1IAZ-I	2.1/2"	65,0	72,2	85,0	4"	100,0	110,0	127,8	210	8,0
22-100150-36N-1IAZ-I	4"	100,0	110,0	127,8	6"	150,0	160,0	181,6	255	14,0
22-100175-36N-1IAZ-I	4"	100,0	110,0	127,8	7"	150,0	192,9	209,0	255	17,0
22-150200-36N-1IAZ-I	6"	150,0	160,0	181,6	8"	200,0	218,1	235,0	255	20,0
22-150225-36N-1IAZ-I	6"	150,0	160,0	181,6	9"	225,0	250,0	267,0	265	22,5
22-150250-36N-1IAZ-I	6"	150,0	160,0	181,6	10"A	250,0	271,0	295,0	285	29,0
22-150300-36N-1IAZ-I	6"	150,0	160,0	181,6	12"	300,0	315,0	332,0	285	35,0

Rev. 02 (06/06/23)



Estrada do Saboó, 10.501 - Trevo Km 58, Rodovia Castelo Branco - São Roque - SP - Brasil
 Cep: 18130-970 Caixa Postal: 294 Fones: (11) 4717-9377 / 4717-9371 - Fax: (11) 4717-6059
 Site: www.invel.ind.br / E-mail: vendas@invel.ind.br