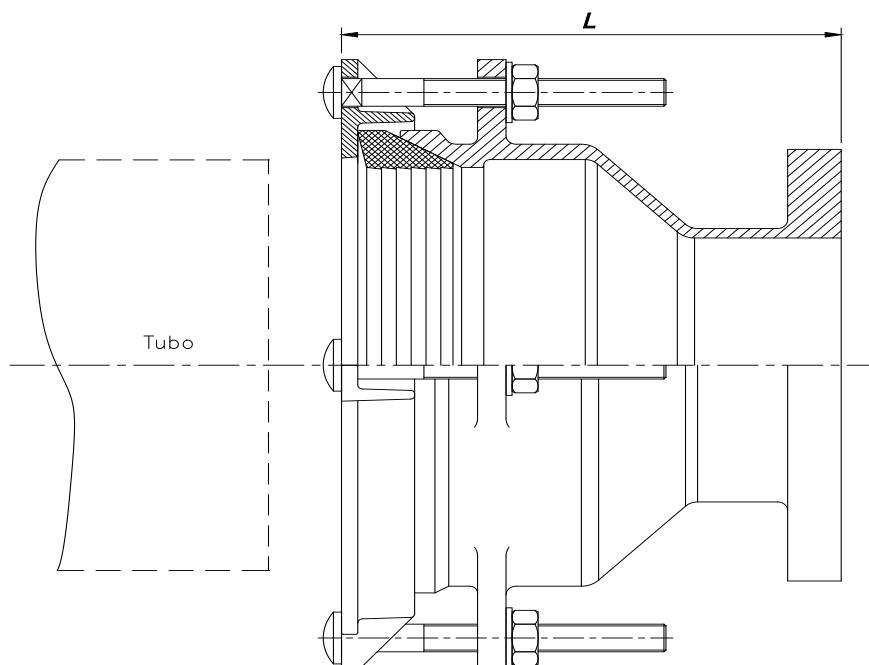


## UNIÃO DE TUBOS MaxiVIC - FLANGE



<b>PN 10 / PN 16</b>								
Código	Ø Nominal		Ø Externo do Tubo		Ø Flange DIN PN10/16		L (mm)	Peso (Kg)
	Pol.	mm	Mín. (mm)	Máx. (mm)	(mm)	(Pol.)		
24-5050-36N-1IAZ-I	2"	50	59,5	72,0	DN 50	2"	145	5,2
24-8080-36N-1IAZ-I	3"	80	88,1	102,4	DN 80	3"	150	7,4
24-100100-36N-1IAZ-I	4"	100	110,0	127,8	DN 100	4"	200	10,6
24-15080-36N-1IAZ-I	6"	150	160,0	181,6	DN 80	3"	225	12,5
24-150100-36N-1IAZ-I	6"	150	160,0	181,6	DN 80	4"	230	13,5
24-150150-36N-1IAZ-I	6"	150	160,0	181,6	DN 150	6"	210	16,0

<b>PN 10</b>								
Código	Ø Nominal		Ø Externo do Tubo		Ø Flange DIN PN 10		L (mm)	Peso (Kg)
	Pol.	mm	Mín. (mm)	Máx. (mm)	(mm)	(Pol.)		
24A-175200-36N-1IAZ-I	7"	175	192,9	209,0	DN 200	8"	240	23,2
24A-200200-36N-1IAZ-I	8"	200	218,1	235,0	DN 200	8"	220	24,7
24A-250200-36N-1IAZ-I	10"	250	272,0	289,0	DN 200	8"	275	35,9
24A-250250-36N-1IAZ-I	10"	250	272,0	289,0	DN 250	10"	275	42,6
24A-300300-36N-1IAZ-I	12"	300	315,0	332,0	DN 300	12"	290	58,7
24A-350350-36N-1IAZ-I	14"B	350	350,0	400,0	DN 350	14"	305	83,0
24A-400400-36N-1IAZ-I	16"	400	400,0	435,0	DN 400	16"	310	105,0
24A-500500-36N-1IAZ-I	20"B	500	527,0	550,0	DN 500	20"	325	154,0
24A-600600-36N-1IAZ-I	24"	600	609,0	647,0	DN 600	24"	390	237,0

<b>PN 16</b>								
Código	Ø Nominal		Ø Externo do Tubo		Ø Flange DIN PN 16		L (mm)	Peso (Kg)
	Pol.	mm	Mín. (mm)	Máx. (mm)	(mm)	(Pol.)		
24B-175200-36N-1IAZ-I	7"	175	192,9	209,0	DN 200	8"	240	23,0
24B-200200-36N-1IAZ-I	8"	200	218,1	235,0	DN 200	8"	220	24,5
24B-250200-36N-1IAZ-I	10"	250	272,0	289,0	DN 200	8"	275	35,7
24B-300300-36N-1IAZ-I	12"	300	315,0	332,0	DN 300	12"	290	58,5
24B-400400-36N-1IAZ-I	16"	400	400,0	435,0	DN 400	16"	310	106,0

Rev. 02 (06/06/23)

